

# EDP 16 mini

Electric palett truck



## STÖCKLIN – YOUR ADVANTAGE

### High efficiency, small dimensions

- Minimal space requirement
- Faster handling
- Optimal handling
- High flexibility

### State-of-the-art electronics

- CAN bus technology
- AC forward drive
- Constantly optimal driving characteristics even with changed requirements
- Low power consumption

### Robust Swiss quality

- The highest quality with a long service life
- Easiest possible maintenance
- Optimal price-performance ratio
- Reasonable spare parts price policy
- Offers lowest possible TCO (total cost of ownership)



## POWERFUL DRIVES

No-maintenance AC wheel hub drive. The central drive's two lateral, spring-loaded support rollers guarantee optimum traction during goods handling. The drive unit and the wheels are integrated in the chassis. All wheels in polyurethane.

## STATE-OF-THE-ART ELECTRONICS

Freely programmable microprocessor controller. AC = without travel-directional contactors. The driving behavior (acceleration, deceleration, speed) and other parameters can be adjusted to each customer's requirements. All sensors are initiators without lifetime limitation.

## DIMENSIONS

The exceptionally small dimensions ensure optimal handling. Front pad length: 395 mm. Vehicle width: 700 mm. Very robust and yet particularly light; perfect for taking along on the truck.

## MAXIMUM ERGONOMICS AND SAFETY

The centrally positioned drawbar increases maneuverability thanks to excellent freedom of movement. Ergonomically designed drawbar head with dual controls with large lift switches for left and right handers. Is also easy to operate when wearing gloves.

## CONSTRUCTION AND EQUIPMENT

Developed from our best modular systems with multiple use of components for easy supply of spare parts. All components are easily accessible, despite the compact design. Built-in charger, tandem rollers and adjustable push bars.

Safe lithium 24V/40Ah with display and mobile app.

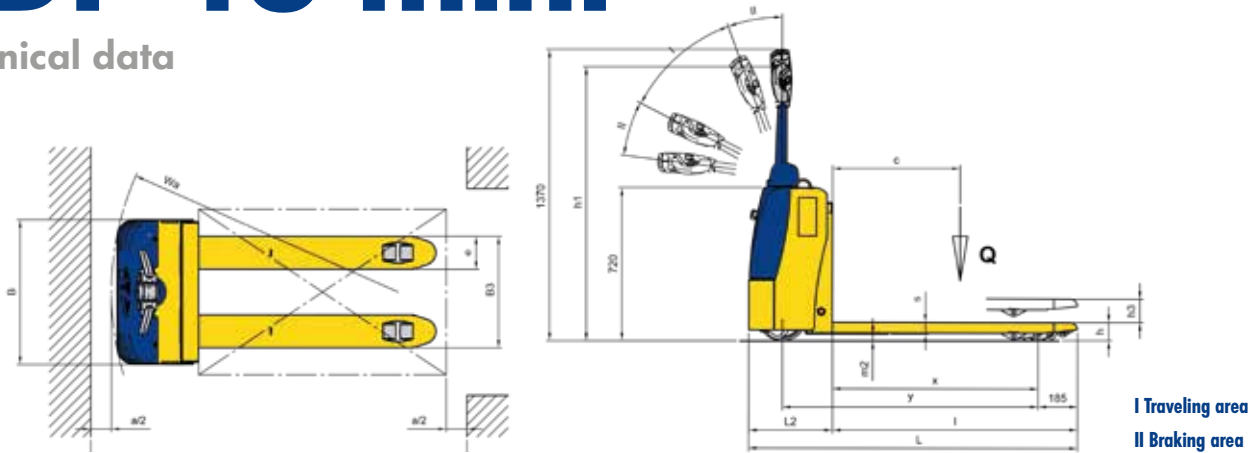


## OPTIONS

- Charging via track
- Charger external
- Steel motor compartment cover

# EDP 16 mini

## Technical data



I Traveling area  
II Braking area

### 1.2 Type EDP 16 mini

Performance data		
1.5	Load capacity/load	Q[kg] 1600
1.6	Distance to center of gravity of load	c[mm] 600
5.1	Top speed with/without load	[km/h] 4.9/5.5
5.2	Lifting speed with/without load	[m/s] 0.04/0.07
5.3	Lowering speed with/without load	[m/s] 0.05/0.03
5.8	Max. gradient with/without load	[%] 7.0/20.0

Dimensions		
1.8	Load distance	x [mm] 967
1.9	Wheelbase	y [mm] 1203
4.4	Lift	h <sub>3</sub> [mm] 125
4.9	Height of drawbar in drive position min./max.	h <sub>1</sub> [mm] 841/1287
4.15	Fork height, lowered	h [mm] 85
4.19	Total length	L [mm] 1547
4.20	Front pad length	L <sub>2</sub> [mm] 395
4.21	Total width	W [mm] 700
4.22	Dimensions of fork	s/e/l [mm] 56/160/1152
4.25	Distance between outer edge of forks	W <sub>3</sub> [mm] 540
4.32	Ground clearance, lowered position	m <sub>2</sub> [mm] 31
4.34	Pallet service zone width 800 x 1200	Branch [mm] 1825
	Safety distance	a/2 [mm] 100
4.35	Turning radius	W <sub>a</sub> [mm] 1390

### EDP 16 mini

Weights		
2.1	Weight of vehicle incl. battery	[kg] 250
2.2	Axle load with load, front/rear	[kg] 570/1280
2.3	Axle load with load, front/rear	[kg] 210/40

Wheels		
3.1	Tire type on all wheels	Polyurethane
3.2	Drive wheel	1 x 230/70
	Type of drive/drawbar	centered/centered
3.3	Load rollers	4x 83/69
3.4	Support rollers	2x 100/40

Drive and control		
6.1	Drive motor	[kW] 0.6
	Motor type	three-phase current (AC)
6.2	Lifting motor	[kW] 0.8
8.1	Drive control	programmable Microprocessor
5.10	Driving brake	Motor and counter current
	Electromechanical parking break	[Nm] 5

Battery 24V		
6.3	Battery type	Lithium-ion
6.4	Battery voltage, capacity	[V/Ah] 24V/40 Ah
	Battery type	Li-Ion/LiFePO4
		[Ah] *2x24 V/20 Ah (Parallel)
6.6	Energy consumption VDI cycle	[kW/h] 0.27

Subject to technical changes.

**Either the Stöcklin team or our partners in your area would be glad to advise you.**

## Stöcklin

**Stöcklin Logistik AG**  
Home of Intralogistics  
**CH-4242 Laufen**  
tel +41 61 705 81 11

info@stoeklin.com  
www.stoeklin.com

SWISS QUALITY / ISO 9001